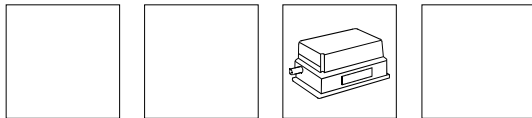


Incremental-Encoder IE-58-A



- **Small Compact Design**
- **Universal Applications**
- **Number of Pulses per Revolution 1 to 10 000**

6

Electrical Data

Supply Voltage	11-27 V DC or 5 VDC
Power Dissipation (No Load)	< 4 Watt
Output (11-27 V)	Push-Pull
Maximum Current.....	max. 30 mA
Incremental Signal	A, A neg., B, B neg.
	Channel A leads channel B when rotating in a clockwise direction.
Marker Pulse	Z, Z neg., 1 pulse per revolution
Output Frequency	< 1000 PPR = 30 kHz, > 1000 PPR = 160 kHz
Rise Time of Edge.....	< 500 ns
Output (5 V).....	Line Driver
Maximum Current.....	max. 50 mA
Incremental Signal	A, A neg., B; B neg.
	Channel A leads channel B when rotating in a clockwise direction.
Marker Pulse	Z, Z neg., 1 pulse per revolution
Output Frequency	< 1000 PPR = 100 kHz, > 1000 PPR = 300 kHz
Rise Time of Edge.....	< 100 ns
Maximum Revolutions per Minute (RPM)	(Output Frequency [Hz] / PPR) x 60 seconds
Number of Pulses Per Revolution	1 - 10 000

Environmental Data

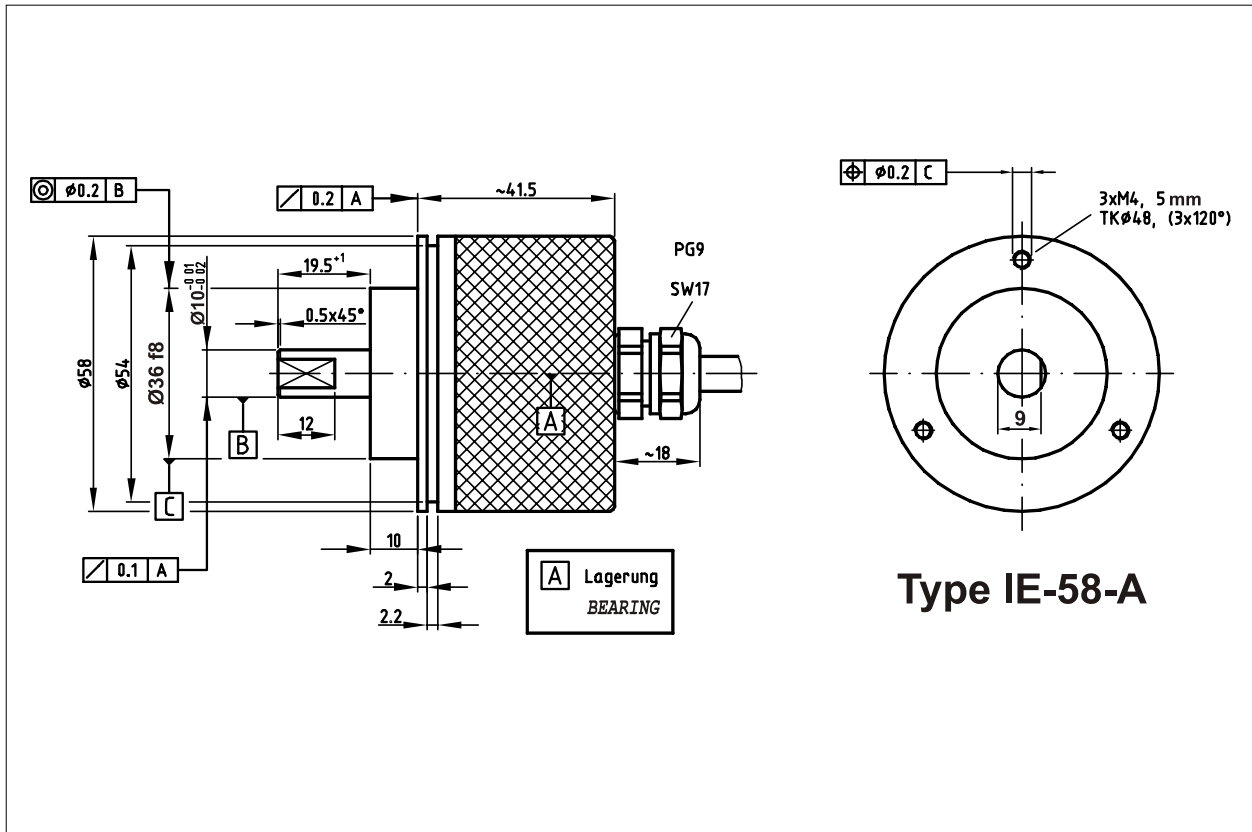
Electromagnetic compatibility (EMC)	EN 61000-4-2 (IEC-801-2) / EN 61000-4-4 (IEC-801-4)
Operating Temperature.....	0° to 70°C (32°F to 158°F) (Option -20° to +70°C) (-4°F to 158°F)
Extended Temperature (Optional).....	-30° to +80°C (-22° to 176°F)
Relative Humidity	98 % (non condensing)
* Protection Class	IP 65 (DIN 40 050)
* The protection class of the encoder can be effected by the type of cable and connector used.	

Mechanical Data

Maximum Rotational Speed	6000 RPM
Maximum Load on Shaft	10 N axial, 20 N radial (at end of shaft)
Lifetime on Bearings.....	3.9 x 10 ¹⁰ Revolutions at:
-Operational Speed	3000 RPM
-Operating Temperature	60°C
Weight	0.3 kg (0.7 lb.)
Maximum Angular Acceleration.....	≤ 10 ⁴ rad/s ²
Momentum of Inertia	2.5 x 10 ⁻⁶ kg m ²
Startup Momentum 20°C (68° F).....	2 Ncm
Vibration (50-2000 Hz Sinusoidal)	
DIN IEC 68-2-6.....	≤ 100 m/s ² (10g)
Shock (11ms) DIN IEC 68-2-27.....	≤ 1000 m/s ² (100g)
* Standard Connector.....	PG 9 axial cable (pigtail)

* Different Cable Lengths on Request.

Dimensional Drawing



For your project please request article number-related dimensional drawings !